

**TOTO LINK**

The Smartest Network Device



reddot winner 2022

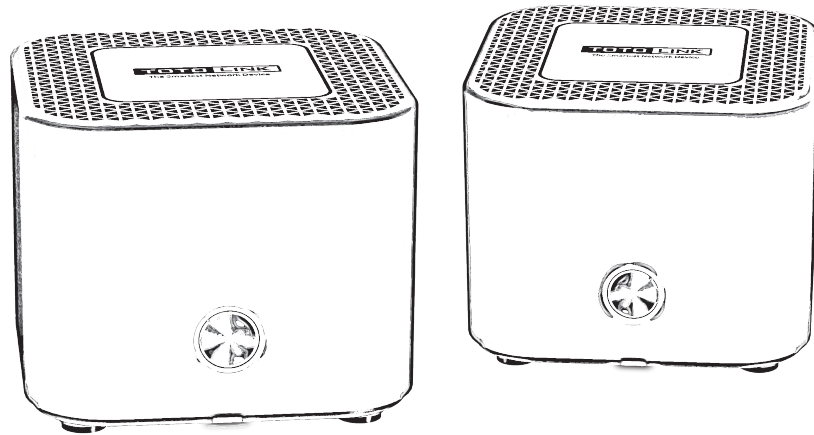
# AX1500 Smart Home Mesh Wi-Fi 6 System

X15



# Overview

X15 is a AX1500 Wi-Fi 6 Gigabit smart home Wi-Fi system, built with the latest generation Wi-Fi 6 technology. Equipped with OFDMA, X15 delivers Wi-Fi speed up to 1501Mbps, offering a faster Internet speed and a more stable Internet connection with other wireless devices. Meanwhile, full gigabit WAN port and LAN ports offer a larger capability for data streaming via cable connection. With the mesh wireless network technology, X15 supports to deliver wireless signal to a wider coverage and achieves the seamless roaming easily.



# Features

- Complies with the next generation Wi-Fi 6 (IEEE 802.11ax) standard.
- Simultaneous 300Mbps on 2.4GHz and 1201Mbps on 5GHz for a total of 1501Mbps.
- Create smart Mesh network with one touch.
- Support multiple devices extension for wide Wi-Fi coverage.
- Seamless roaming helps users automatically switch to a stronger signal source.
- OFDMA to improve capacity and efficiency of your network, so more devices can connect without slowing down your Wi-Fi.
- TWT (Target Wake Time) technology reduces your devices' power consumption to extend their battery life.
- MU-MIMO technology improves Wi-Fi experience for the users.
- Beamforming technology improves directional signal transmission and increases bandwidth efficiency.
- The full Gigabit port provides greater functions for data forwarding connected by cable.
- Supports DHCP, static IP, PPPoE PPTP and L2TP broadband functions.
- Supports WPA3 wireless security protocol to ensure network security.
- Supports VPN server, guest network, smart QoS, Wi-Fi scheduler.
- Parental control enables to create a safe & healthy Internet environment for your children.
- Easy setup and management through mobile UI and TOTOLINK APP.

# Highlights

## A new generation—Wi-Fi 6

Wi-Fi 6 (IEEE802.11ax) delivers a huge boost in speed and total capacity and takes your Wi-Fi to the next level while being backwards compatible with IEEE802.11a/b/g/n/ac Wi-Fi standards. X15 equips with the latest wireless technology, Wi-Fi 6, for faster speeds, greater capacity, and reduced network congestion.

**Wi-Fi 6**  1501Mbps

5GHZ

**Wi-Fi 5**  1200Mbps

5 GHZ

## Easy Mesh, Wider Coverage

Support one-key EasyMesh networking, press the "Mesh" button on the device to automatically connect to establish a wide-covered intelligent wireless network to meet your wireless connection needs on multiple terminals.



**1501Mbps Ultra-Fast  
Wi-Fi Speed**

X15 delivers Wi-Fi speeds of up to 1201Mbps on the 5GHz band and 300Mbps on the 2.4GHz band. It is able to work on 2.4GHz and 5GHz band simultaneously and delivers speeds up to 1501Mbps.



**More Energy-efficient  
Wi-Fi 6**

The IEEE802.11 AX technology—Target Wake Time—helps your devices to communicate more while consuming less power.



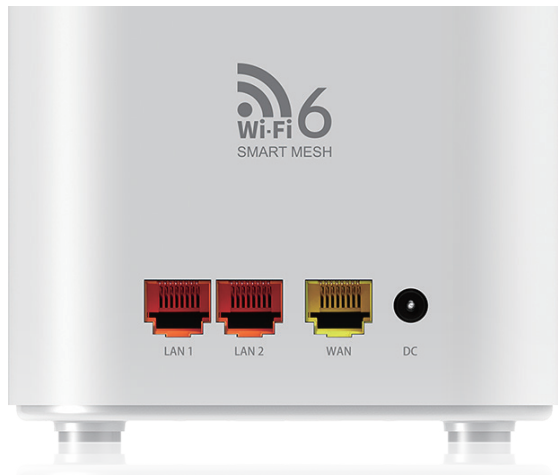
**Keep You Connected  
Throughout Your Home**

X15 supports wireless roaming function, all the Wi-Fi devices will auto change to stronger signal source when you are moving, keeping you connected and enjoy seamless Wi-Fi at any corner of your house.

# Highlights

## Full Gigabit WAN and LAN Ports

Equipped with full gigabit ports, X15 offers a larger capability for data streaming via cable connection, making the best use of your Internet bandwidth, and compatible with your 100M/1000M network card.



### Quick Setup by Using Phone UI & APP

You can setup your router in minutes by using the specific phone UI or TOTOLINK Router App. The App allows you to manage network settings from any Android or iOS device.



### IPTV Helps to Catch the Latest Teleplay

Enjoy the popular movies and the latest teleplay with your families. X15 is your ideal cost-effective solution to enjoy the Streaming Media at home.

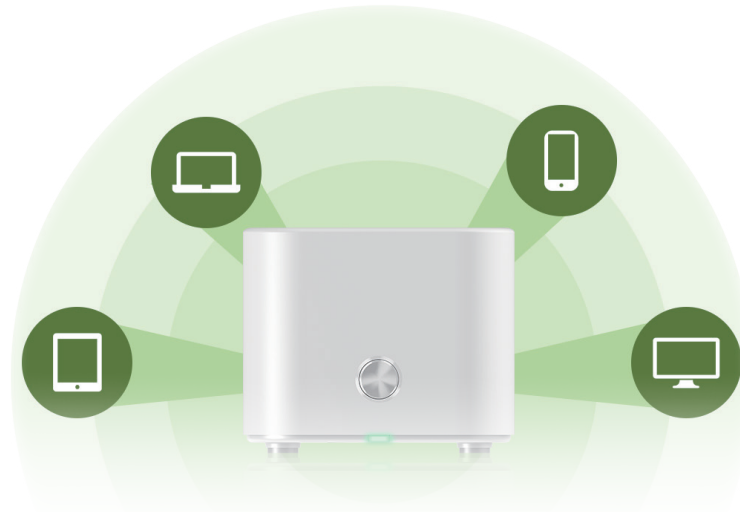


### WPA3, Refined Security

WPA3 reinforces Wi-Fi encryption for improved security. You can get best-in-class cybersecurity with the latest WPA3 to protect your family from malwares, stolen passwords, identity theft, and hacker attacks.

## MU-MIMO Technology

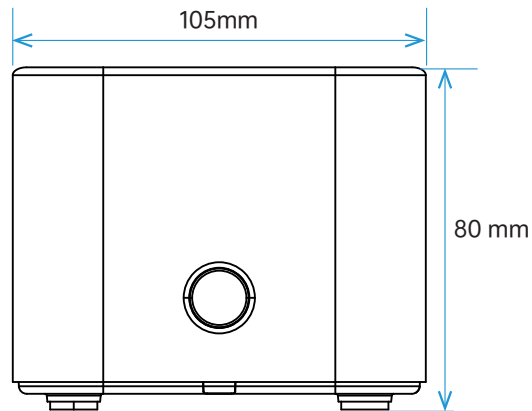
The latest IEEE802.11ax technology supports uplink and downlink, which has greatly improvement on the transmission rate than the standard AC routers. It designed to smoothen high-bandwidth Internet activities across multiple devices, such as 4k HD video streaming and online gaming.



# Specification

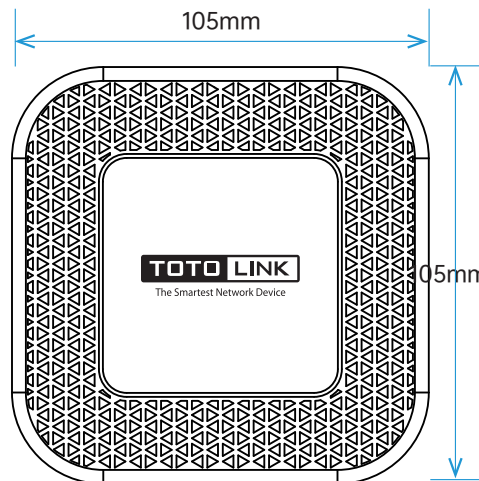
## Hardware

- Interface :  
2 \*1000Mbps LAN Ports  
1 \*1000Mbps WAN Port
- Power Supply : 12VDC/1A
- Button : 1 \*Mesh/RST Button
- LED Indicators : 1 \*System (Red/Green)
- Antenna : 2 \*Internal Dual Band Antennas
- Dimensions (W x D x H) : 105 x 105 x 87mm



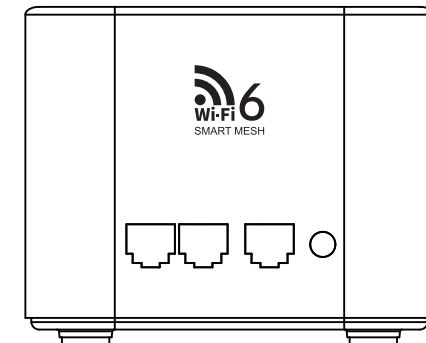
## Wireless

- Standards :  
IEEE 802.11ax, IEEE 802.11ac, IEEE 802.11a,  
IEEE 802.11b, IEEE 802.11g ,IEEE 802.11n,  
IEEE 802.11s
- RF Frequency : 2.4GHz/5GHz
- Data Rate :  
2.4GHz: Up to 574Mbps (2\*2 40MHz)  
5GHz: Up to 1201Mbps (2\*2 80MHz)
- EIRP :  
2.4GHz < 20dBm  
5GHz < 20dBm



## Wireless

- Wireless Security :  
WPA2/WPA Mixed ; WPA3
- Reception Sensitivity :  
2.4G:  
11b: <-81dbm;  
11g: <-68dbm;  
11n HT20: <-65dbm HT40: <-62dbm  
11ax HE40: -48dB  
5G:  
11a:<-68dbm;  
11n: HT20<-65dbm HT40: <-62dbm  
11ac VHT80: <-51dbm  
11ax HE40: <-48dbm  
11ax HE80: <-46dbm



# Specification

## Software

- Operation Mode :  
Mesh Mode ; Bridge Mode
- Home : Quick Setup ; Basic setup ; Advanced setup  
; Logout; Reboot ; Language Auto
- Mesh setting :  
Mesh Networking; Mesh Topology ; Roaming
- Network :  
WAN Setting ; LAN Setting; P/MAC Binding ; DDNS Setting; IPTV Setting; IPv6
- WAN Type :  
Static IP, DHCP, PPPoE/Russia PPPoE, PPTP/Russia PPTP, L2TP/Russia L2TP
- Wireless : Basic setup ; Parental Control
- QoS :  
Up/Down speed control on WAN,  
Bandwidth control based on IP address
- Security : MAC Filtering ; IP/Port Filtering ; URL Filtering
- NAT :  
Virtual Server(Port Forwarding); DMZ ; VPN passthrough
- VPN : L2TP/PPTP VPN
- Tools : Upgrade Firmware ; Time Setup ; Remote management;  
Password Settings ; Reboot Schedule; System Log and so on

## Others

- Package Contents :  
X15 Wireless Router \*1  
Power Adapter \*1  
Ethernet Cable \*1  
Quick Installation Guide \*1  
Remark: Take Unit pack as an example.  
(This product also has 2 in 1 and 3 in 1 package,  
the above list is only for reference.)
- Environment :  
Operating Temperature:  
0°C~40 °C (32 °F~104°F)  
Storage Temperature:  
-40°C~70 °C (-40 °F~158°F)  
Operating Humidity:  
10%~90% non-condensing  
Storage Humidity:  
5%~90% non-condensing