

TOTO LINK

The Smartest Network Device

Quick Installation Guide

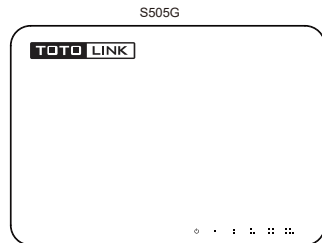
Gigabit Switch

S505G

Copyrights ©TOTOLINK. All rights reserved. Website: <https://totolinkvn.com>
Information in this document is subject to change without prior notice.

1. Before Installation

Checking Package Contents Appearance



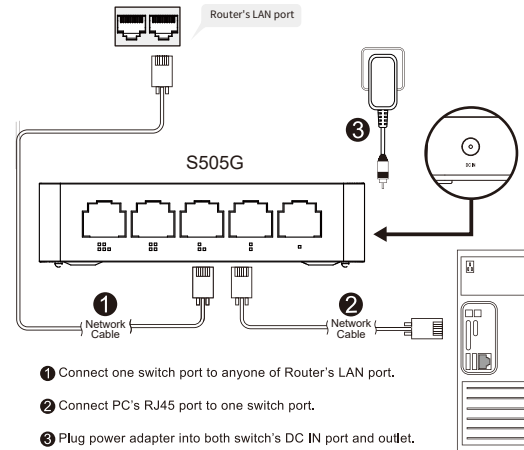
S505G
 1*5-Port 10/100/1000Mbps Switch
 1*Power Adapter
 1*Quick Installation Guide

LED Indicators

LED Indicator	Status	Indication
	On	Lights yellow when the switch is receiving power
	Off	Powered off
	On	Connected to network lights on, data transmission blinks yellow
	Off	Not connected

2. Hardware Installation

Refer to the application scene graph below



Specifications

Standards	IEEE 802.3, IEEE 802.3u, IEEE 802.3x
Interface	5*10/100/1000Mbps auto-negotiation RJ-45 Ports (Auto MDI/MDIX)
Network Media	10BASE-T: UTP Cat 3, 4, 5 cable 100BASE-TX/1000BASE-T: UTP Cat 5, 5e or above cable
Power Supply	9V DC/0.5A
Backup Bandwidth	10Gbps
MAC Address Table	2K
Advanced Features	Support IGMP Snooping, Giga Port
Transmission Method	Store-and-forward
LED	1* Power, 5*LANs
Dimensions(L x W x H)	93 x 65 x 24mm