

TOTO LINK
The Smartest Network Device

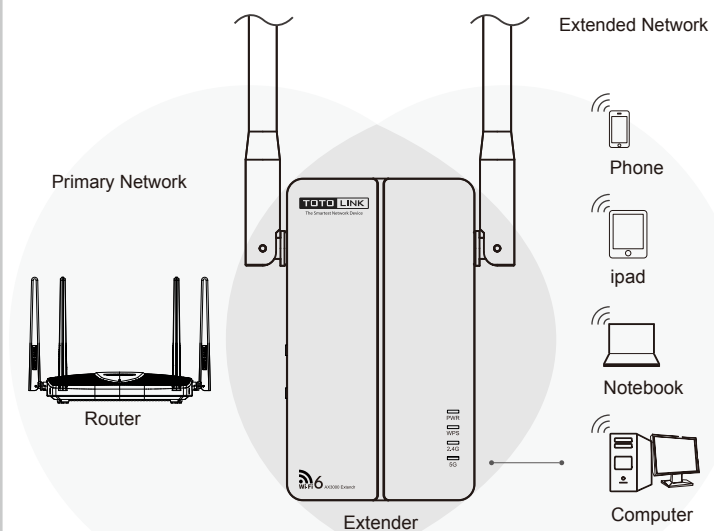
Quick Installation Guide

Wi-Fi 6 Dual Band Wi-Fi Range Extender

Model: EX1800T, EX3000T

Copyrights © TOTOLINK. All Rights Reserved. <http://www.totolink.net>
Information in this document is subject to change without prior notice

1 Hardware Connection



Note: For reference, this installation guide will be presented with the EX3000T as an example.

Port and button function description

LAN Port	Connect the computer or switch by using the RJ45 cable.
RESET	To restore extender to the factory settings: Plug the extender into a power outlet, using a paperclip, press and hold the reset pinhole for over 5 seconds until the PWR blinking quickly, and then let go. The extender will then reboot and be at factory default settings.
MESH Button	Enable MESH function. When the MESH function of the superior router is enabled, press the MESH button on extender, then the extender can connect to the superior router.
WPS Button	Enable 2.4GHz/5GHz WPS function. When the WPS function of the superior router is enabled, press the WPS button on extender, then the extender can connect to the superior router.

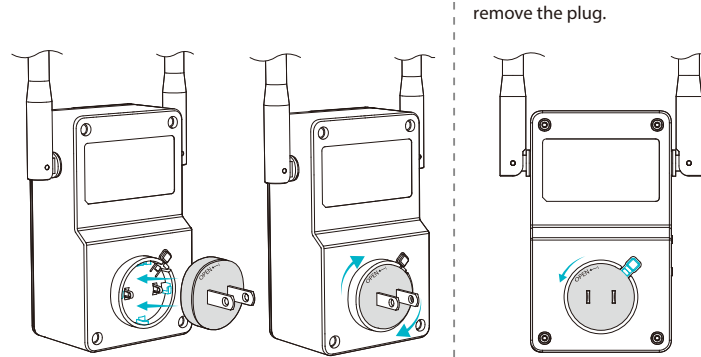
LED indicator status description

PWR	Solid on	The extender is booting./MESH function is enabling. (Lasts for 2 minutes)
	Slow Blinking	The extender is working normally.
	Quick Blinking	The extender is being reset, ready to reboot.
	Off	The extender is powered off.
WPS	Solid on	WPS function is enabled. (Lasts for 2 minutes)
	Off	WPS function is not enabled.
	Blue Solid on	Signal is good.
	Orange Solid on	Signal is weak.
	Off	Extension failed, unable to connect to the superior router.

Install and Remove

(Take the US plug as an example.)

Please follow the two steps below to install the plug.



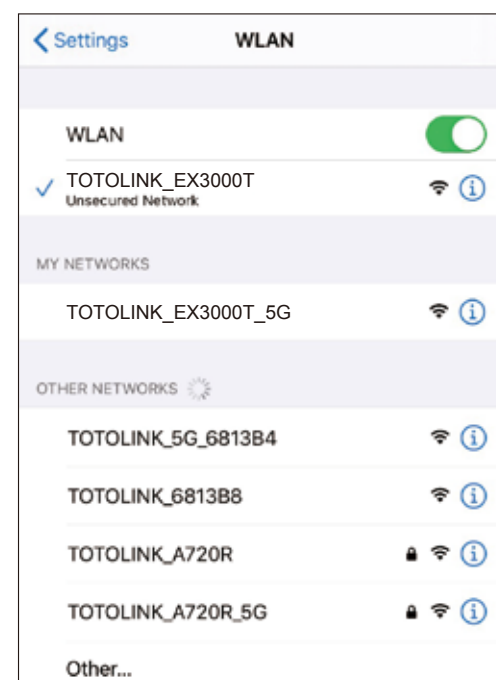
- Align the detachable plug with the four positioning notches on the repeater.
- Turn the plug clockwise (you can hear a click) to tighten.

Press the button next to it and then turn it counterclockwise to remove the plug.

2 Quick Setup for EX3000T

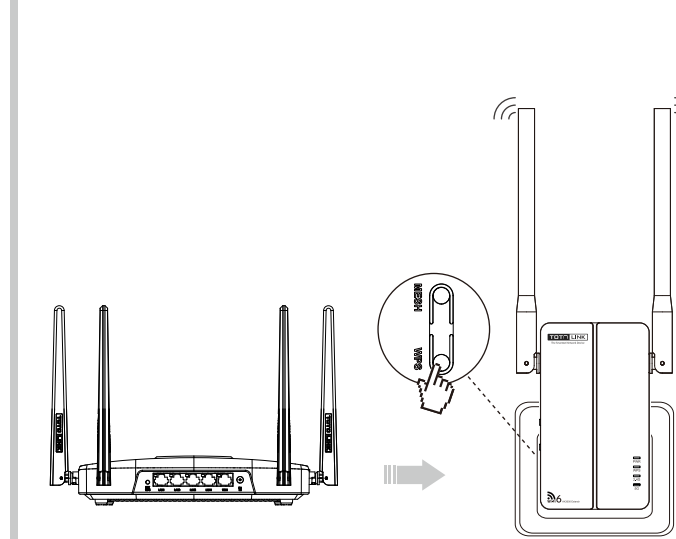
Option 1: Using your phone

- Plug the extender into an electrical outlet. Wait until the PWR indicator becomes blink slowly which means the extender is working normally.
- Go to WLAN Settings on your phone. Find the SSID **TOTOLINK_EX3000T** or **TOTOLINK_EX3000T_5G** and connect to it. (P1)



P1

Option 2: Using WPS(Wi-Fi Protected Set-up)



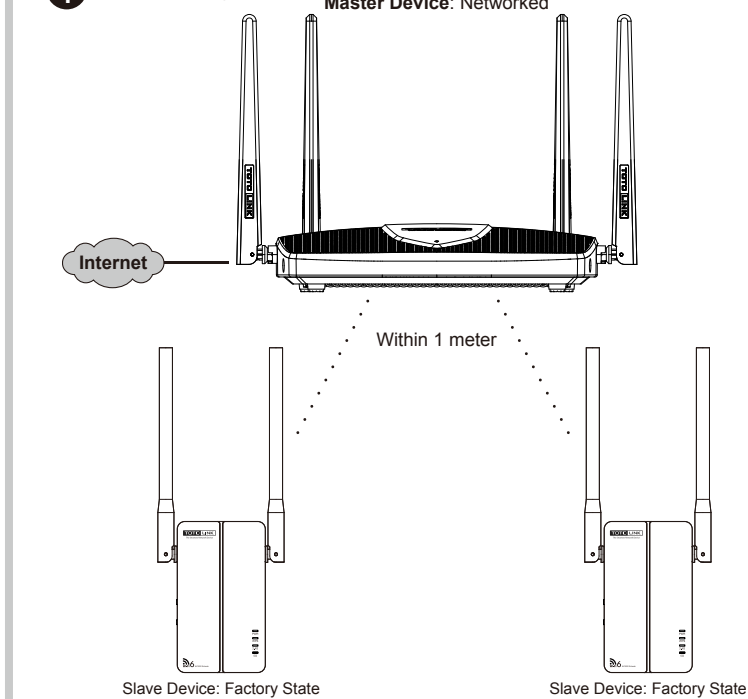
Please use Option1 if your router doesn't support WPS function.

- Plug the extender into an electrical outlet near your router (we suggest within two meters), and wait until it work normally.
- Press and hold the WPS button 1-3 seconds on extender, until the WPS LED light is solid on. Then press the WPS button on router within 2 minutes.
- Wait a moment and it indicates OK when the 2.4G/5G indicator remains solid on.
- After completing the configuration, please move the extender to a suitable location according to part 3 of this manual. Wait about 1 minute and observe the 2.4G/5G LED's color to ensure that the extender is in suitable place.

3 EasyMesh Networking Function

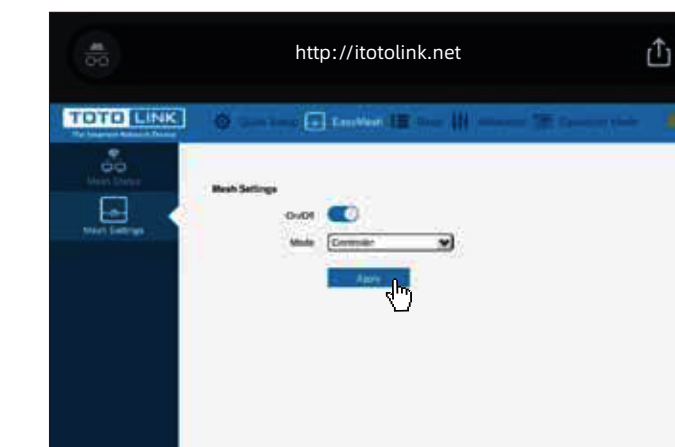
EX3000T has EasyMesh networking function, can work as slave device in mesh network. With the EasyMesh networking function, the network units can work together to form a unified network with a single network name. When you move around the house, the device will automatically switch between the two to get the fastest possible speed. The specific operation steps of networking function setting are as follows.

1 Installation Diagram



2 Build Master Device Environment

Make sure you have a TOTOLINK EasyMesh router which is setup and connected to Internet before installation. Connect your phone with the extender. Then open web browser, enter <http://totolink.net> in address bar, and log in to the web management interface of the master device. Then select EasyMesh settings, choose Mesh Settings, select the Controller Mode and click "Apply". Waiting for setting to complete.

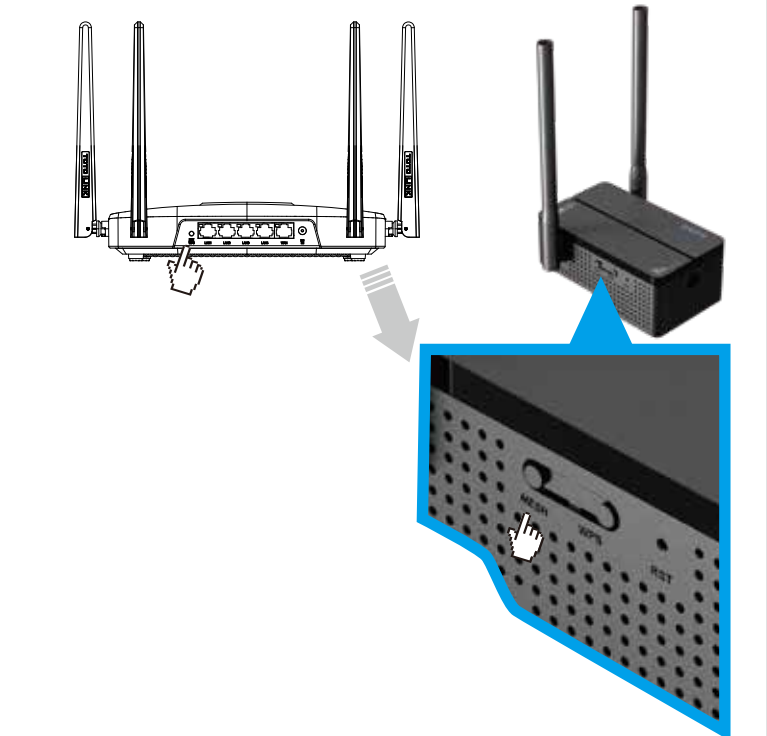


3 Build Slave Device Environment

Make sure extender is power on, and in factory setting. If you already changed setup, please reset the extender. (You can find how to restore the extender in FAQs)

4 EasyMesh Networking Pairing

- EasyMesh: Press MESH button on master device first, then press MESH button on extender, it will pairing successfully within two minutes. If you want to pair multiple devices, repeat the step above.
Note: if your product doesn't have MESH button, use WPS button to replace it.



- Open any browser and enter <http://totolink.net> or **192.168.0.254** on address bar, then it jumps to configuration interface as below. Click **Repeater Mode** and then select the Wi-Fi band you want to extend. (P2-P3)



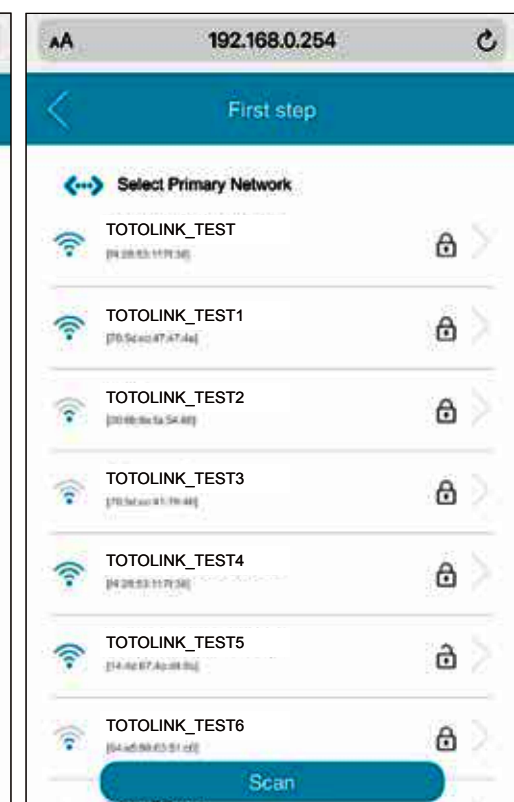
P2

- Select your superior router's 2.4GHz or 5GHz primary network and enter the password, then click **Next**. (P4-P5) (You can either keep the same SSID as your primary network or create new name for networks. For new SSID, please click **Modify SSID & Password of extended Wi-Fi**.)



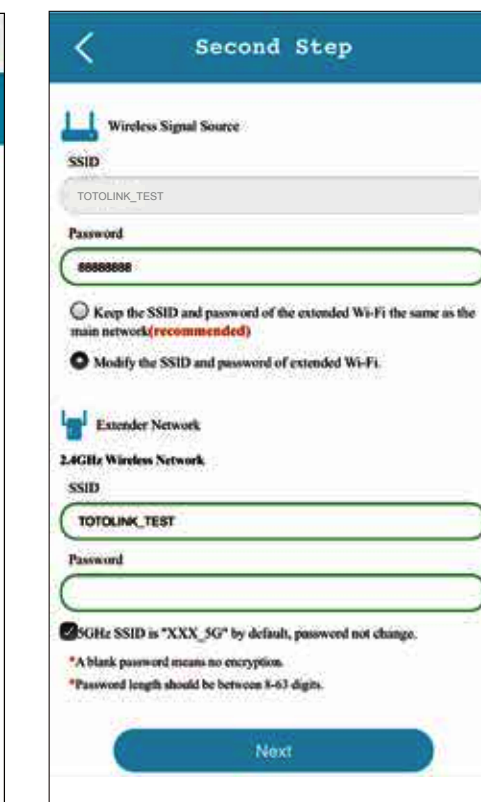
P3

- Please check whether the configuration information is correct. If it is correct, it is recommended to take a screenshot to save the information, then click **OK**. Wait for a while, please follow the instruction in the Setting Result page to check whether the extension is successful. If the 5G/2.4G indicator is on, the extension is successful. (P6-P7) Please reconnect to Wi-Fi and adjust it to a suitable place according to the instructions in Part 3 of this manual.



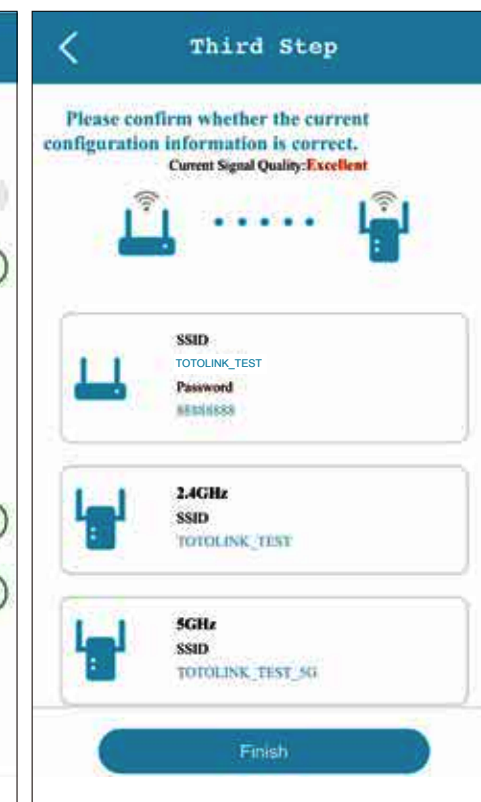
P4

- Please check whether the configuration information is correct. If it is correct, it is recommended to take a screenshot to save the information, then click **OK**. Wait for a while, please follow the instruction in the Setting Result page to check whether the extension is successful. If the 5G/2.4G indicator is on, the extension is successful. (P6-P7) Please reconnect to Wi-Fi and adjust it to a suitable place according to the instructions in Part 3 of this manual.



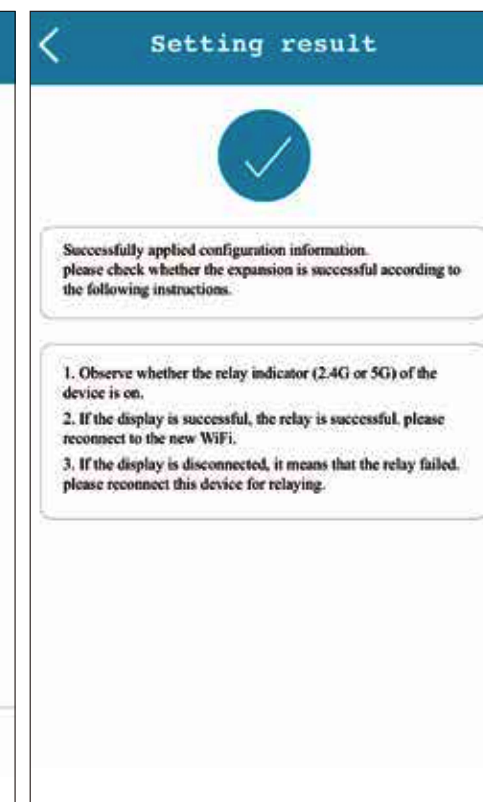
P5

- Please check whether the configuration information is correct. If it is correct, it is recommended to take a screenshot to save the information, then click **OK**. Wait for a while, please follow the instruction in the Setting Result page to check whether the extension is successful. If the 5G/2.4G indicator is on, the extension is successful. (P6-P7) Please reconnect to Wi-Fi and adjust it to a suitable place according to the instructions in Part 3 of this manual.



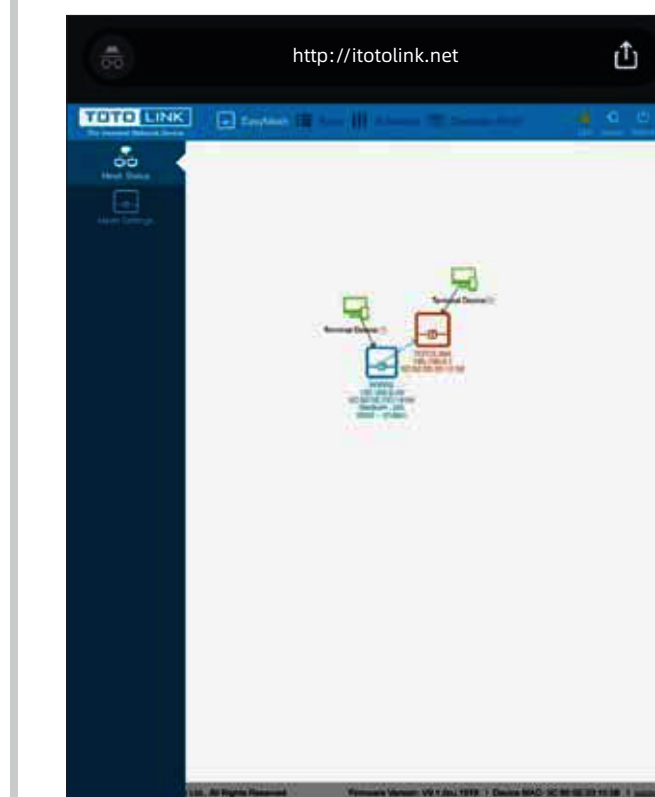
P6

- Please check whether the configuration information is correct. If it is correct, it is recommended to take a screenshot to save the information, then click **OK**. Wait for a while, please follow the instruction in the Setting Result page to check whether the extension is successful. If the 5G/2.4G indicator is on, the extension is successful. (P6-P7) Please reconnect to Wi-Fi and adjust it to a suitable place according to the instructions in Part 3 of this manual.



P7

- After the mesh connection is successful, use the browser to enter <http://totolink.net> and click "EasyMesh"-Mesh Status" to view the status of the mesh connection.

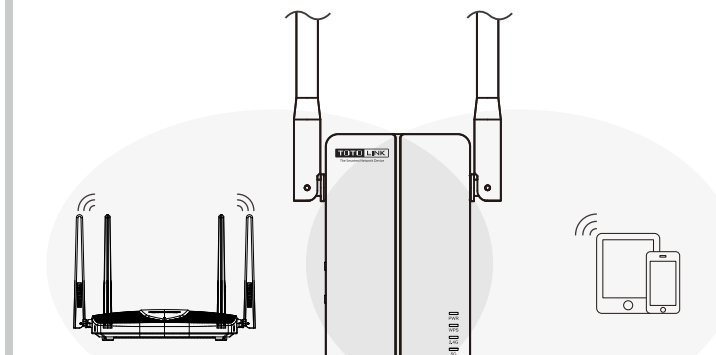


4 Adjust the Position of the Extender

After completing the configuration, the extender can be moved to another place. There is no need to configure it again when it was unplugged from the outlet. After the extender get restarted, the extender will extend your wireless network automatically. For better Wi-Fi expansion, please place the extender in a place where signal is good. Please refer to the color of the 2.4G/5G indicator to place the extender.

Blue Solid On: Signal is good, location is appropriate.
Orange Solid On: Signal is weak, please move the extender closer to the superior router to ensure steady data transmission.
Light is Off: Extension failed, unable to connect to the superior router. Please move the extender closer to the superior router to ensure steady data transmission.

Warm tips:
Please put your extender in a place where there is no obstacle.
To avoid band interface, your extender need to maintain a certain distance from these home appliances that generally operate in the 2.4GHz band such as microwave ovens, Bluetooth.



5 FAQs

Q1: How can I set up the extender by using a Web browser?

A1: First plug the extender into an electrical outlet near your router and wait until it get start. Then connect the computer and the router through the network cable (or through wireless connection). Open any browser, enter <http://totolink.net> or 192.168.0.254 on address bar and it will jump to the configuration interface; then choose repeater mode in this configuration page. Next, select the SSID of superior router and enter the password; then click "connect" and it will start configuring.
(To modify the network name and password that has been extended, please check "Modify SSID & Password of extended Wi-Fi" and then enter New SSID and password on the text box).

Q2: What should I do if I cannot access the extender's phone-based interface?

A1: Make sure your phone is connected to the Extended network SSID.
A2: Verify that 192.168.0.254 is correctly entered in phone browser.
A3: Reset the repeater, and try again.

Q3: Does this extender support simultaneous 2.4G and 5G signal extension?

A: No, it doesn't. You can only extend one of them.

Q4: How do I restore the extender to its factory default settings?

A: Plug the extender into a power outlet, using a paperclip, press and hold the reset pinhole for over 5 seconds until the PWR blinking quickly, and then let go. The extender will then reboot and be at factory default settings.

FCC warning

FCC Statement
This equipment has been tested and found to comply with the limits for a Class B digital device, pursuant to part 15 of the FCC Rules. These limits are designed to provide reasonable protection against harmful interference in a residential installation. This equipment generates, uses and can radiate radio frequency energy and, if not installed and used in accordance with the instructions, may cause harmful interference to radio communications. However, there is no guarantee that interference will not occur in a particular installation. If this equipment does cause harmful interference to radio or television reception, which can be determined by turning the equipment off and on, the user is encouraged to try to correct the interference by one or more of the following measures:
—Reorient or relocate the receiving antenna.
—Increase the separation between the equipment and receiver.
—Connect the equipment into an outlet on a circuit different from that to which the receiver is connected.
—Consult the dealer or an experienced radio/TV technician for help.
This device complies with part 15 of the FCC Rules. Operation is subject to the following two conditions: (1) This device may not cause harmful interference, and (2) this device must accept any interference received, including interference that may cause undesired operation.

Caution
Any changes or modifications not expressly approved by the party responsible for compliance could void the user's authority to operate the equipment.

Radiation Exposure Statement
This equipment complies with FCC radiation exposure limits set forth for an uncontrolled environment.
This transmitter must not be co-located or operating in conjunction with any other antenna or transmitter.
This equipment should be installed and operated with minimum distance 20cm between the radiator & your body.

Manufacturer: ZIONCOM ELECTRONICS (SHENZHEN) LTD.
Address: Room 702, Unit D, 4 Building Shenzhen Software Industry Base, Xuefu Road, Nanshan District, Shenzhen, Guangdong, China