

TOTO LINK

The Smartest Network Device

www.totolink.net



N220RE

300Mbps
Wireless SD-WAN Router



Telecommuting



Mini design



One-to-One



Easy Set up

➤ Overview

300Mbps Wireless SD-WAN Router

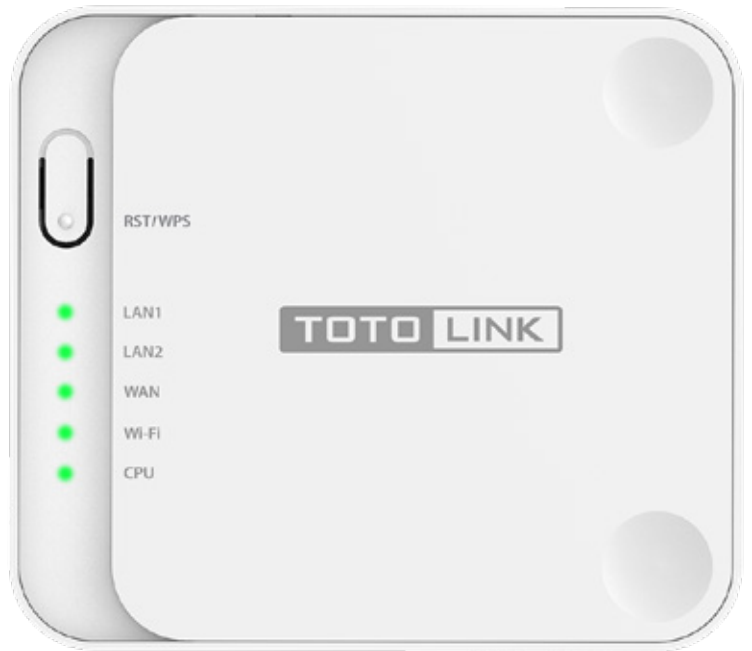
Model No. **N220RE**

N220RE is specially designed for small home and offices, delivering wireless speed up to 300Mbps.

Mini structure with 2LAN + WAN interface makes it particularly convenient for the travelers to establish wireless and wired network on their travel.

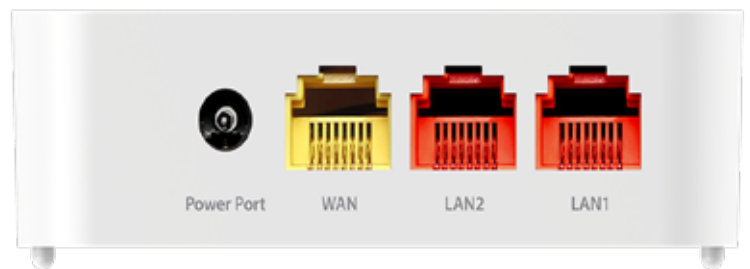
Moreover, N220RE supports SD-WAN (Remote Access) function, which can realize remote data transmission and telecommuting.

Generally, it is not only a cost-effective solution for small groups to access the Internet, but also a convenient tool to make telecommuting possible.



➤ Features

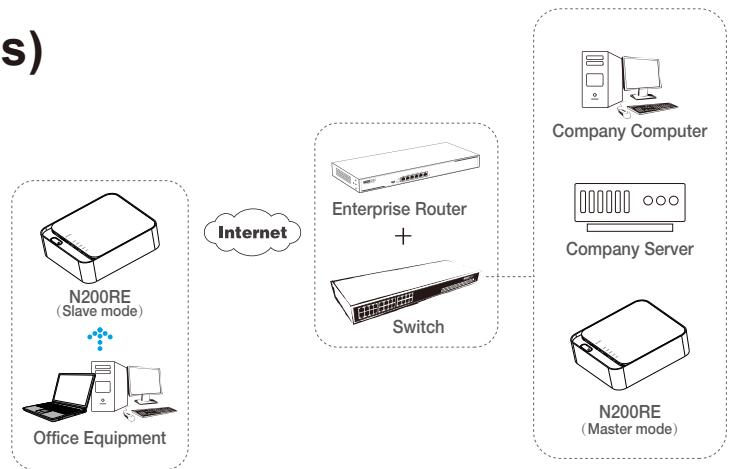
- Supports SD-WAN function to realize remote data transmission and telecommuting.
- Complies with the latest IEEE 802.11n standards.
- 2.4GHz wireless speed up to 300Mbps.
- Supports DHCP, Static IP, PPPoE Internet connection type.
- Provides WPA/WPA2 mixed security.
- Secured wireless connection can be established with only one push on the WPS button.
- Supports IP/Port filtering, MAC filtering, URL filtering, Virtual Server and DMZ.
- Concise page for easier setup



Selling point

SD-WAN (Remote Access)

SD-WAN can help you realize remote data transmission and telecommuting. By connecting two N220RE, you are able to experience remote monitoring, sharing files and accessing intranet office system of company conveniently.



High-gain Internal Antennas for Wider Coverage

Two 5dBi high-gain internal antennas are perfect for small and medium houses, wider coverage with strong wall-through ability enables to establish stable wireless connections to other terminals without any network delay.



WPS button for easy connections

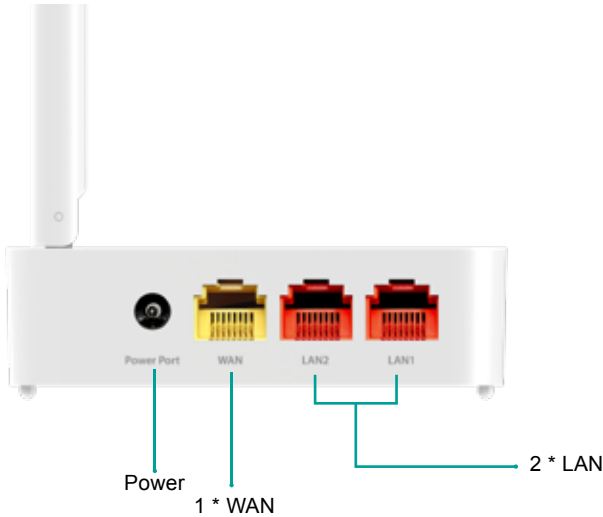
Secured wireless connection can be established with only one push on the WPS button, no need to input the lengthy passwords anymore.



Specification

Hardware

Interface	- 2 * 100Mbps LAN Ports
Power Supply	- 1 * 100Mbps WAN Port
Button	- 5VDC / 0.6A
LED Indicators	- 1 * RST/WPS Button
Antenna	- 1 * System, 1 * Wi-Fi, 1 * WAN, 2 * LAN
Dimensions (L x W x H)	- 2 * 5dBi Internal Antennas(2.4G) - 91mm *80mm *25mm



Wireless

Standards	- IEEE 802.11b, - IEEE 802.11g, - IEEE 802.11n
RF Frequency	- 2.4~2.4835GHz
Data Rate	- 2.4GHz : Up to 300Mbps
EIRP	- < 20dBm
Wireless Security	- WPA/WPA2 Mixed
Reception Sensitivity	- 11b 11M: -85dBm@8% PER - 11g 54M: -72dBm@10% PER - 11n HT20 MCS7: -68dBm@10% PER HT40 MCS7: -65dBm@10% PER

Specification

Software

Network	- WAN Setting - LAN Setting
WAN Type	- Static IP, DHCP, PPPoE/Russia PPPoE
Wireless	- Basic setup
SD-WAN	- Networking strategy - Custom strategy
Tools	- Upgrade Firmware - Password Settings - Logout - Reboot

Others

Package Contents	- N220RE Wireless SD-WAN Router *1 - Power Adapter *1 - Ethernet Cable *1 - Quick Installation Guide *1
Environment	- Operating Temperature: 0℃~50℃ (32℉~122℉) - Storage Temperature: -40℃~70℃ (-40℉~158℉) - Operating Humidity: 10%~90% non-condensing - Storage Humidity: 5%~90% non-condensing

ZIONCOM (HK) TECHNOLOGY LIMITED

Copyright©ZIONCOM (HK) TECHNOLOGY CO., LTD. All Rights Reserved.

Headquarter & R&D Center

7/F, Unit D, 4 Building Shenzhen Software Industry Base, Xuefu Road,
Nanshan District, Shenzhen, Guangdong, China

Tel : +86-755-6136-3288 (Ext.867) | FAX : +86-755-6136-3344

Factory

Building A1 & A2 Lantian Technology Park, Xinyu Road, Xinqiao Henggang Block,
Shajing Street, Baoan District, Shenzhen, Guangdong, China

Direct Line : +86-755-3686-1188(Ext. 5810) | FAX : +86-755-3686-1133

N220RE

300Mbps Wireless SD-WAN Router